

### L/S® Easy-Load® II Pump Heads

No more slipping of tubing—automatic retention holds it securely in place

- Reduced pulsation and improved pressure performance and mechanical stability with standard four-roller rotor
- Pump heads made of durable PPS housing
- Choice of rotors—economical CRS rotors or SS rotors for better chemical resistance and durability
- Don't let pressure get to you. Choose models with adjustable occlusion—tighten for higher pressure, loosen for longer tubing life

#### A. Pump Heads for Precision Pump Tubing (not shown)

- Wide flow range for wider range of applications from 0.06 to 2300 mL/min

#### B. Pump Heads for High-Performance Precision Pump Tubing

- Pump viscous liquids and get better pressure generation and suction lift

#### C. Two-Channel Pump Heads for Precision Pump Tubing

- No need to stack heads, get two channels in one head!

**What's included:** single-channel mounting hardware and a 15" (38-cm) length of silicone pump tubing. Pump head comes ready to mount to drive. Hardware for mounting two or more heads is available below.



C



B

#### FEATURES

- ✓ Load tubing easily
- ✓ Accepts several tubing sizes for a wide flow range
- ✓ Stack up to four heads

ISO9001:2008  
CERTIFIED SUPPLIER



Pump tubing size accepted	mL per rev	Flow rates in mL/min		Maximum system pressure† psi (bar)	Catalog number‡					
		1 to 100 rpm	6 to 600 rpm		Fixed occlusion				Adjustable occlusion	
					CRS rotor		SS rotor		SS rotor	
Cat. no.	Price	Cat. no.	Price	Cat. no.	Price					
<b>A. Easy-Load II pump heads for precision pump tubing (not shown)</b>										
L/S 13	0.06	0.06 to 6	0.36 to 36	40 (2.7)						
L/S 14	0.21	0.21 to 21	1.3 to 130	40 (2.7)						
L/S 16	0.8	0.8 to 80	4.8 to 480	40 (2.7)	<a href="#">GY-77200-50</a>		<a href="#">GY-77200-60</a>		<a href="#">GY-77201-60</a>	
L/S 25	1.7	1.7 to 170	10 to 1000	35 (2.4)						
L/S 17	2.8	2.8 to 280	17 to 1700	20 (1.4)						
L/S 18	3.8	3.8 to 380	23 to 2300	15 (1.0)						
<b>B. Easy-Load II pump heads for high-performance precision pump tubing</b>										
L/S 15	1.7	1.7 to 170	10 to 1000	40 (2.7)						
L/S 24	2.8	2.8 to 280	17 to 1700	40 (2.7)	<a href="#">GY-77200-52</a>		<a href="#">GY-77200-62</a>		<a href="#">GY-77201-62</a>	
L/S 35	3.8	3.8 to 380	23 to 2300	35 (2.4)						
L/S 36	4.8	4.8 to 480	29 to 2900	20 (1.4)						
<b>C. Two-channel Easy-Load II pump heads for precision pump tubing</b>										
L/S 13	0.06	0.06 to 6	0.36 to 36	40 (2.7)						
L/S 14	0.21	0.21 to 21	1.3 to 130	40 (2.7)	<a href="#">GY-77202-50</a>		<a href="#">GY-77202-60</a>			
L/S 16	0.8	0.8 to 80	4.8 to 480	40 (2.7)						
L/S 25	1.7	1.7 to 170	10 to 1000	35 (2.4)						

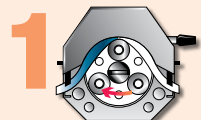
†Actual performance varies depending on pump tubing formulation—values shown are for firm pump tubing.

‡CRS = cold-rolled steel SS = stainless steel

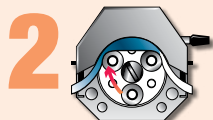
### Teky's Tips



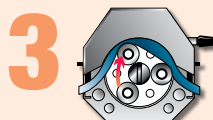
#### How Masterflex Pump Heads Work



1 Tubing is placed in the tubing bed—between the rotor and housing—where it is occluded (squeezed).



2 The rollers on the rotor move across the tubing, pushing the fluid. The tubing behind the rollers recovers its shape, creates a vacuum, and draws fluid in behind it.



3 A "pillow" of fluid is formed between the rollers. This is specific to the ID of the tubing and the geometry of the rotor. Flow rate is determined by multiplying speed by the size of the pillow. This pillow stays fairly constant except with extremely viscous fluids.

#### Mounting Hardware for Easy-Load II Heads

Mount up to four L/S Easy-Load II pump heads on a single drive; see individual drive specifications for maximum number of heads to be mounted. Mounting hardware is stainless steel.

Heads to be mounted	Catalog number	Price/st
One	<a href="#">GY-77200-01</a>	
Two	<a href="#">GY-77200-02</a>	
Three	<a href="#">GY-77200-03</a>	
Four	<a href="#">GY-77200-04</a>	

### I/P® Easy-Load® Pump Heads

## Minimize downtime with faster tubing changes

- Optimize pressure capabilities and tubing life with adjustable occlusion
- Less maintenance and quieter operation with included tang boot
- No more loose pump heads—five-screw mounting for more secure attachment
- Adjust flow rate to your needs—can pump from 0.6 to 13 LPM
- PSF housing with CRS or SS rotor, or PPS housing with SS rotor available. PPS has better chemical resistance than PSF. CRS rotors have sealed bearings; SS rotors have PTFE-sealed bearings

#### FEATURES

- ✓ Load tubing without removing pump head from drive
- ✓ Automatic tubing retention
- ✓ Stack up to two pump heads
- ✓ ATEX Zone 2 rated model available



PSF pump head  
77602-00



PPS pump head  
77601-60

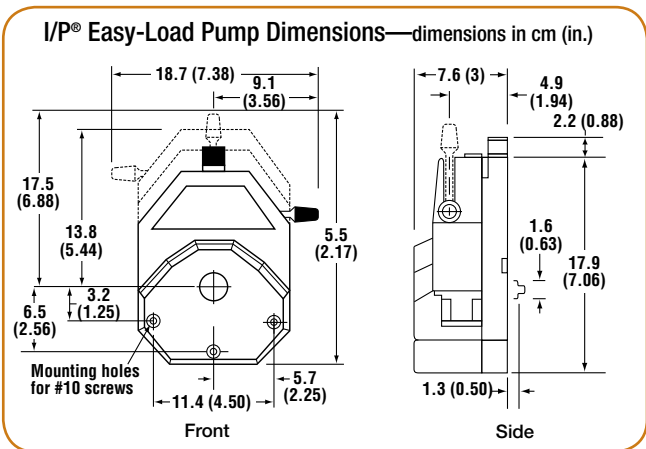
ISO9001:2008  
CERTIFIED SUPPLIER

ATEX  
Zone 2  
77602-80

Pump tubing sizes accepted	mL per rev	Flow rates (LPM) at indicated rpm			Maximum system psi (bar)	Catalog number†			
		100	540	20 to 650		PSF housing, CRS rotor	PSF housing, SS rotor	PPS housing, SS rotor	ATEX-approved; PSF housing, SS rotor
I/P 26	6.15	0.6	3.2	0.12 to 4	40 (2.7)	GY-77602-00	GY-77602-10	GY-77601-60	GY-77602-80
I/P 73	12.3	1.2	6.8	0.2 to 8					
I/P 82	20.0	2.0	11.0	0.4 to 13	20 (1.4)				
<b>Price</b>									

†PSF = polysulfone PPS = polyphenylene sulfide CRS = cold-rolled steel SS = stainless steel

**GY-77601-96** Dual-channel mounting hardware for two pump heads, stainless steel



### Teky's Tips



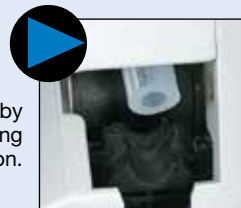
#### Loading Your Pump Head



Move lever to the left to open pump head. Load the correct size tubing.



Rotate the lever to the right to close head. Adjust occlusion setting by turning knob on top of pump head.



Tubing is retained by automatic tubing retention.

## Wait!

There's More at [ColeParmer.com](http://ColeParmer.com)

Find all the product specs you need!